

**SOHEIL MOSUN LIMITED**

www.sheilmosun.com

34 GREENSBORO DRIVE  
TORONTO, ONTARIO M9W 1E1  
TEL: (416) 243-1600 • FAX: (416) 243-7132

This drawing, depicting original designs by Soheil Mosun Limited, is the property of Soheil Mosun Limited. It is loaned under the express condition that it must not be copied or used in any way without the written permission of Soheil Mosun Limited and must be returned on demand.

REVISION HISTORY

CUSTOMER

PROJECT  
BENCHES STRAIGHT

QUANTITY

DESCRIPTION  
STEEL AND WOOD BENCHES

UNLESS OTHERWISE STATED, TOLERANCES TO BE AS FOLLOWS

| FRACTIONAL | DECIMAL                                | ANGULAR |
|------------|----------------------------------------|---------|
| ±1/32"     | .X ±.050"<br>.XX ±.030"<br>.XXX ±.010" | ±0.5°   |

SCALE

DATE

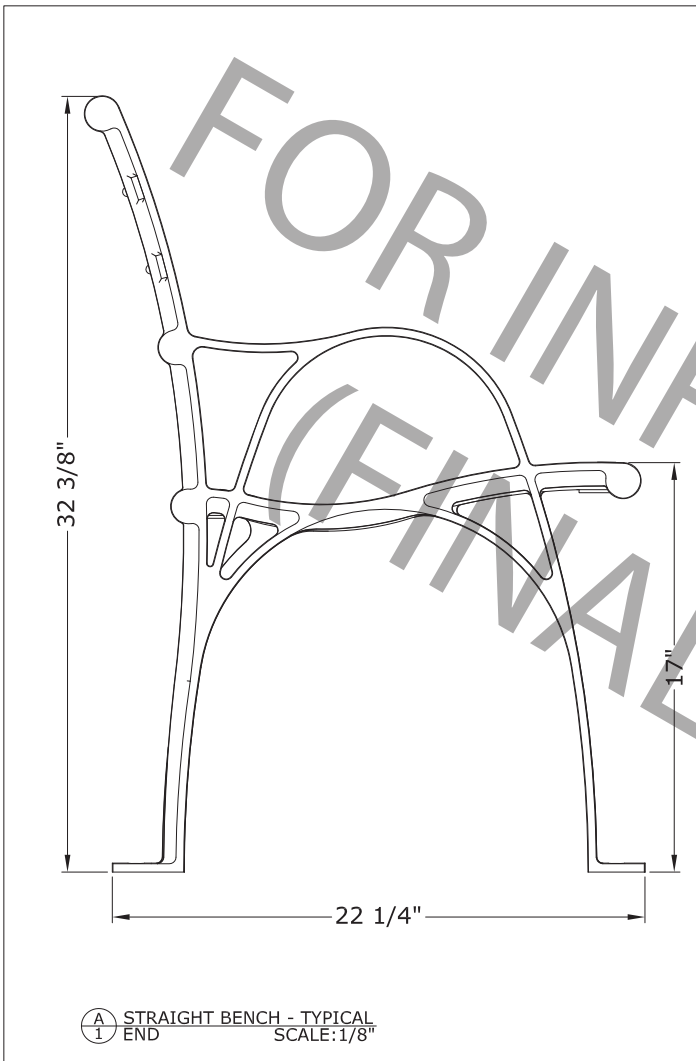
DRAWN BY

REVISION No.

CUSTOMER REF No.

SML ORDER NO.

DRAWING NUMBER



NOTES:  
1. ALL COMPONENTS TO BE FULLY WELDED  
2. INSTALLATION IS BY OTHERS  
3. ALL METAL COMPONENTS PAINTED BLACK  
4. ALL WOOD SLATS COME WITH NO FINISH

