

SOHEIL MOSUN LIMITED

www.sheilmosun.com

34 GREENSBORO DRIVE
TORONTO, ONTARIO M9W 1E1
TEL: (416) 243-1600 • FAX: (416) 243-7132

This drawing, depicting original designs by Soheil Mosun Limited, is the property of Soheil Mosun Limited. It is loaned under the express condition that it must not be copied or used in any way without the written permission of Soheil Mosun Limited and must be returned on demand.

REVISION HISTORY

CUSTOMER

PROJECT
BENCHES CURVED IN

QUANTITY

DESCRIPTION
STEEL AND WOOD
BENCHES
CURVED 24" RADIUS

UNLESS OTHERWISE STATED, TOLERANCES TO BE AS FOLLOWS

FRACTIONAL	DECIMAL	ANGULAR
±1/32"	.X ±.050" .XX ±.030" .XXX ±.010"	±0.5°

SCALE

DATE

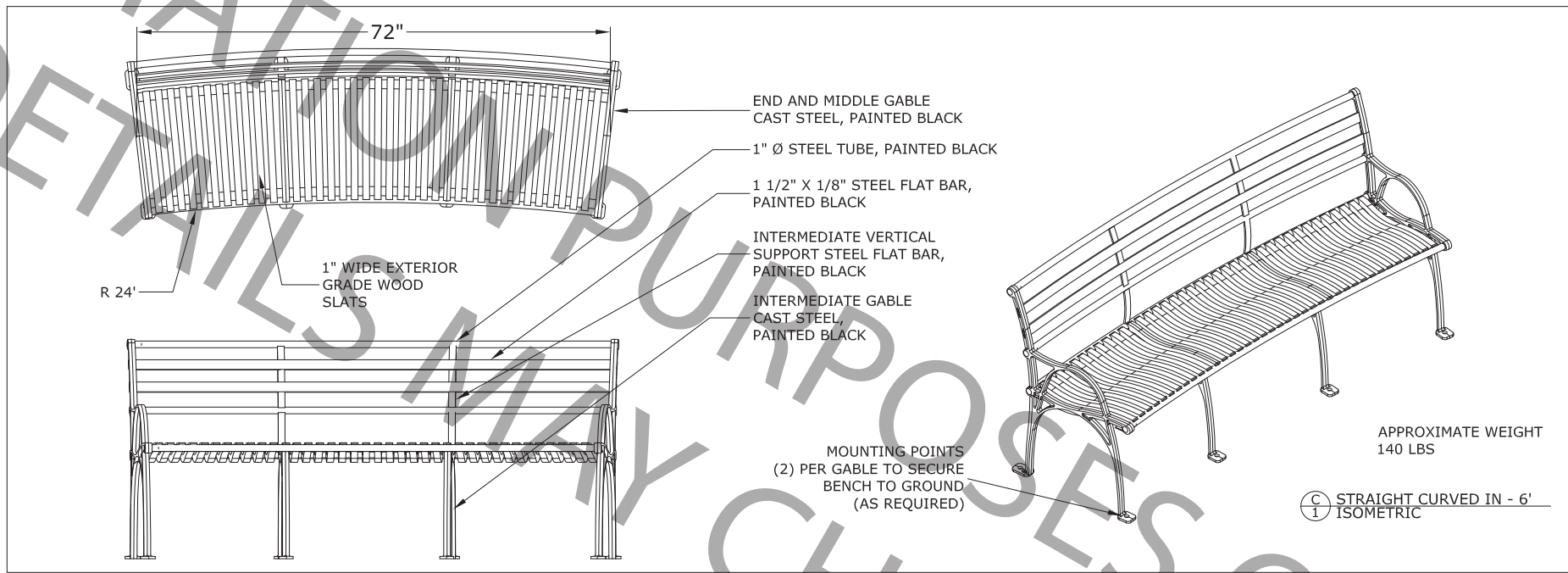
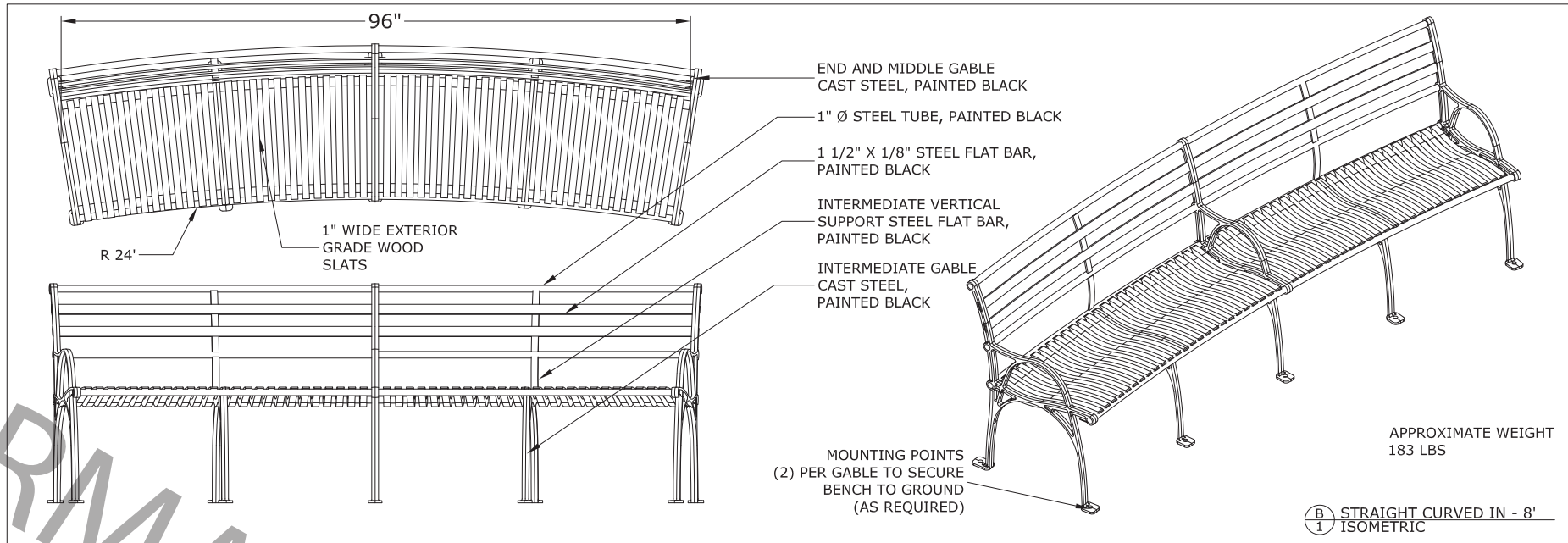
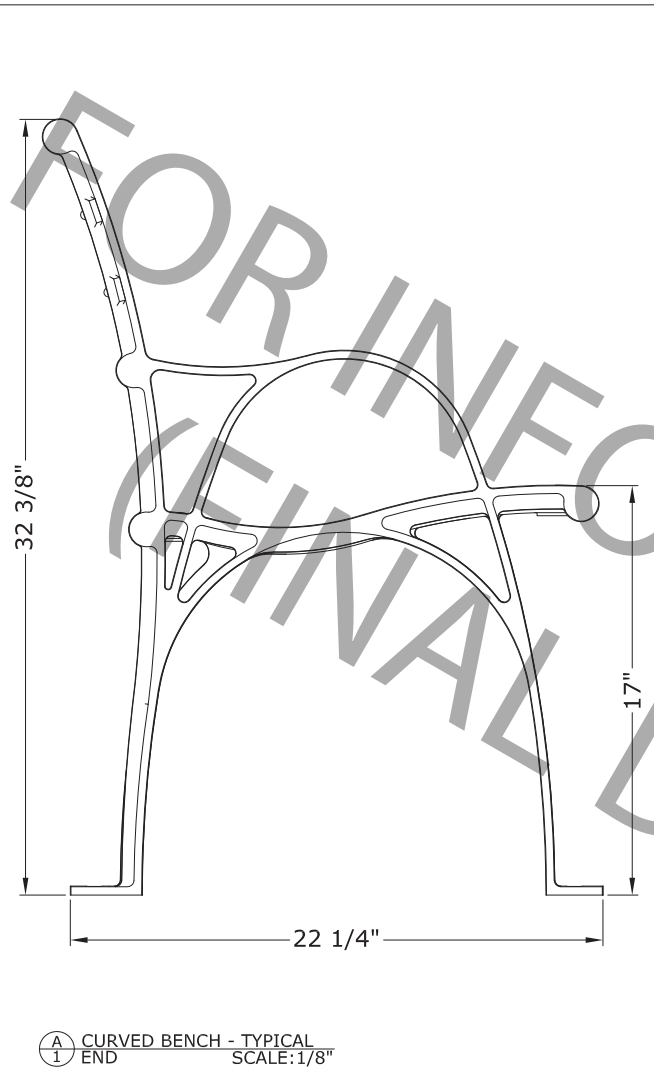
DRAWN BY

REVISION No.

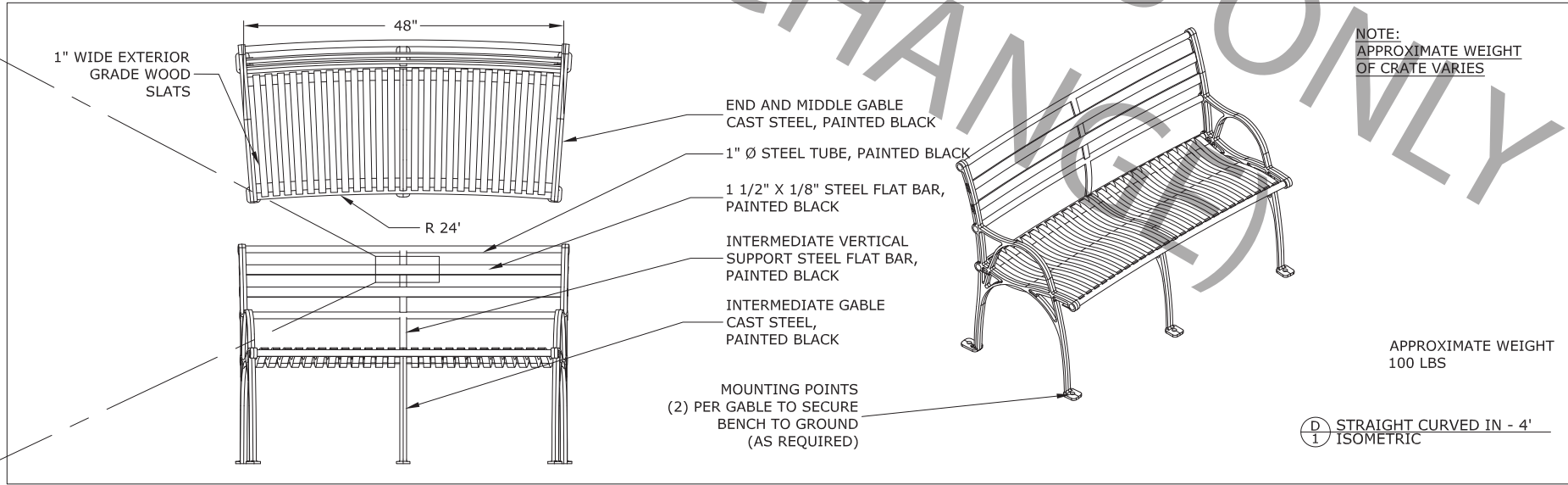
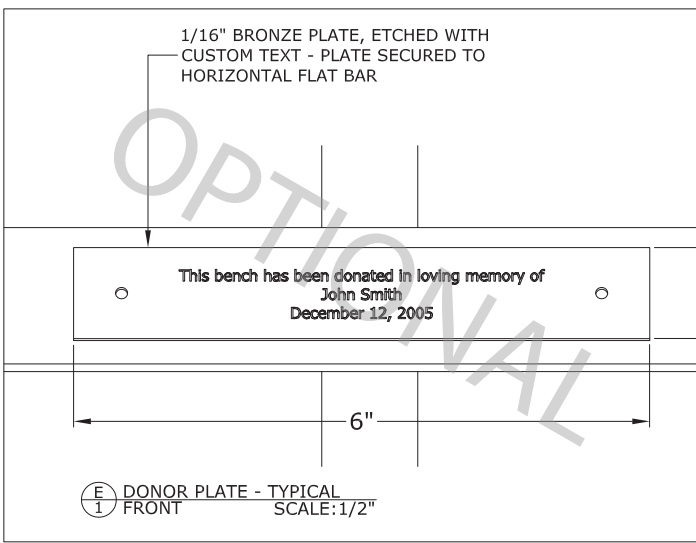
CUSTOMER REF No.

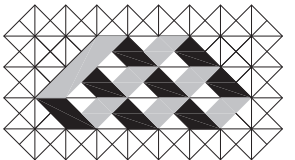
SML ORDER NO.

DRAWING NUMBER



NOTES:
1. ALL COMPONENTS TO BE FULLY WELDED
2. INSTALLATION IS BY OTHERS
3. ALL METAL COMPONENTS PAINTED BLACK
4. ALL WOOD SLATS COME WITH NO FINISH





SOHEIL MOSUN LIMITED

www.sheilmosun.com

34 GREENSBORO DRIVE
TORONTO, ONTARIO M9W 1E1
TEL: (416) 243-1600 • FAX: (416) 243-7132

This drawing, depicting original designs by Soheil Mosun Limited, is the property of Soheil Mosun Limited. It is loaned under the express condition that it must not be copied or used in any way without the written permission of Soheil Mosun Limited and must be returned on demand.

REVISION HISTORY

CUSTOMER

PROJECT
BENCHES CURVED OUT

QUANTITY

DESCRIPTION
STEEL AND WOOD
BENCHES
CURVED 24" RADIUS

UNLESS OTHERWISE STATED, TOLERANCES TO BE AS FOLLOWS

FRACTIONAL	DECIMAL	ANGULAR
±1/32"	.X ±.050" .XX ±.030" .XXX ±.010"	±0.5°

SCALE

DATE

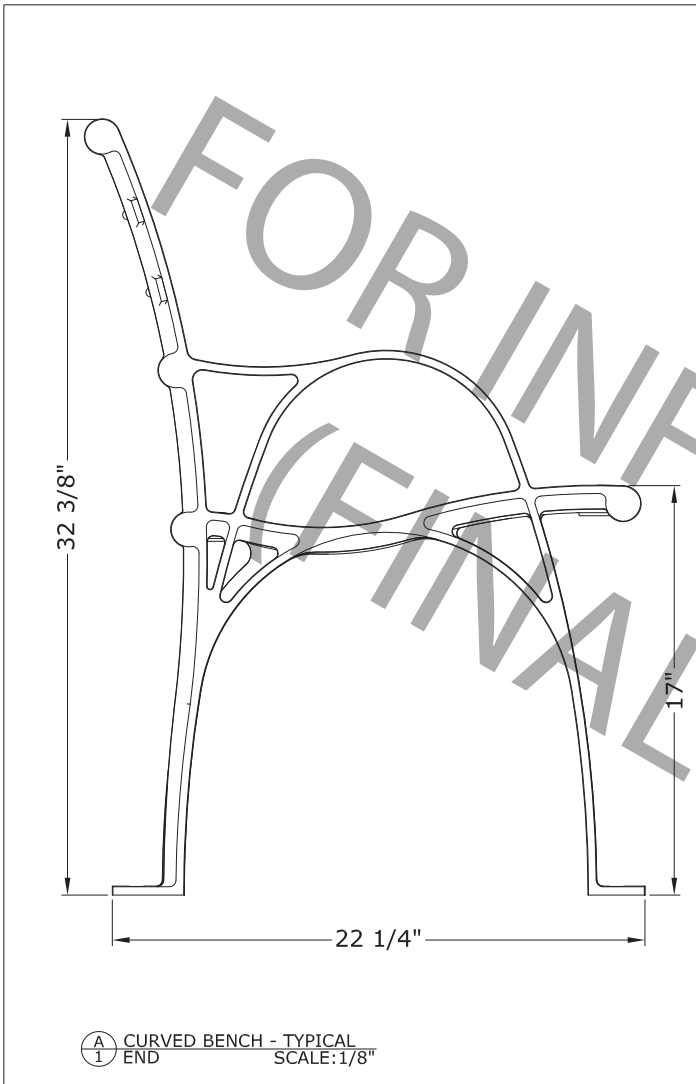
DRAWN BY

REVISION No.

CUSTOMER REF No.

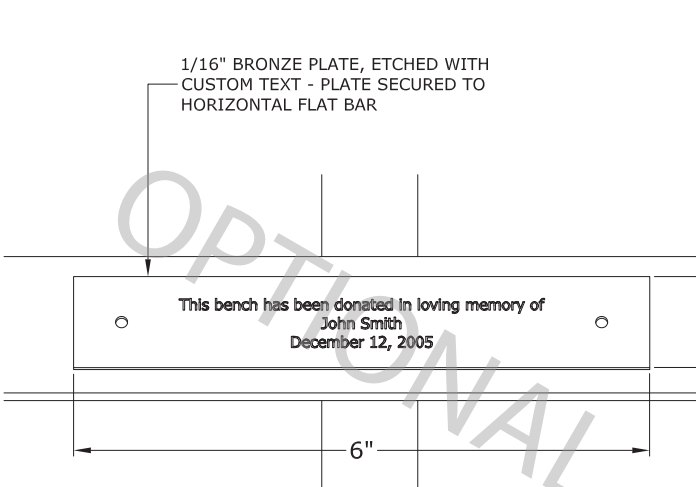
SML ORDER NO.

DRAWING NUMBER

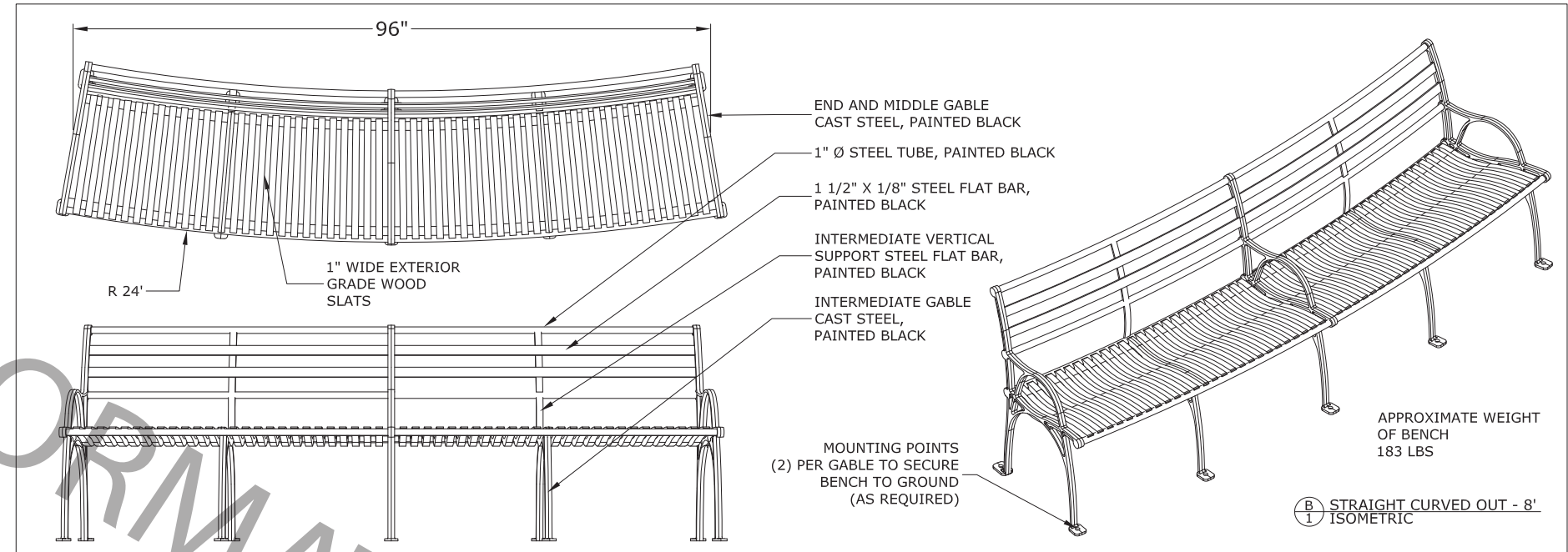


(A) CURVED BENCH - TYPICAL END
SCALE: 1/8"

NOTES:
1. ALL COMPONENTS TO BE FULLY WELDED
2. INSTALLATION IS BY OTHERS
3. ALL METAL COMPONENTS PAINTED BLACK
4. ALL WOOD SLATS COME WITH NO FINISH

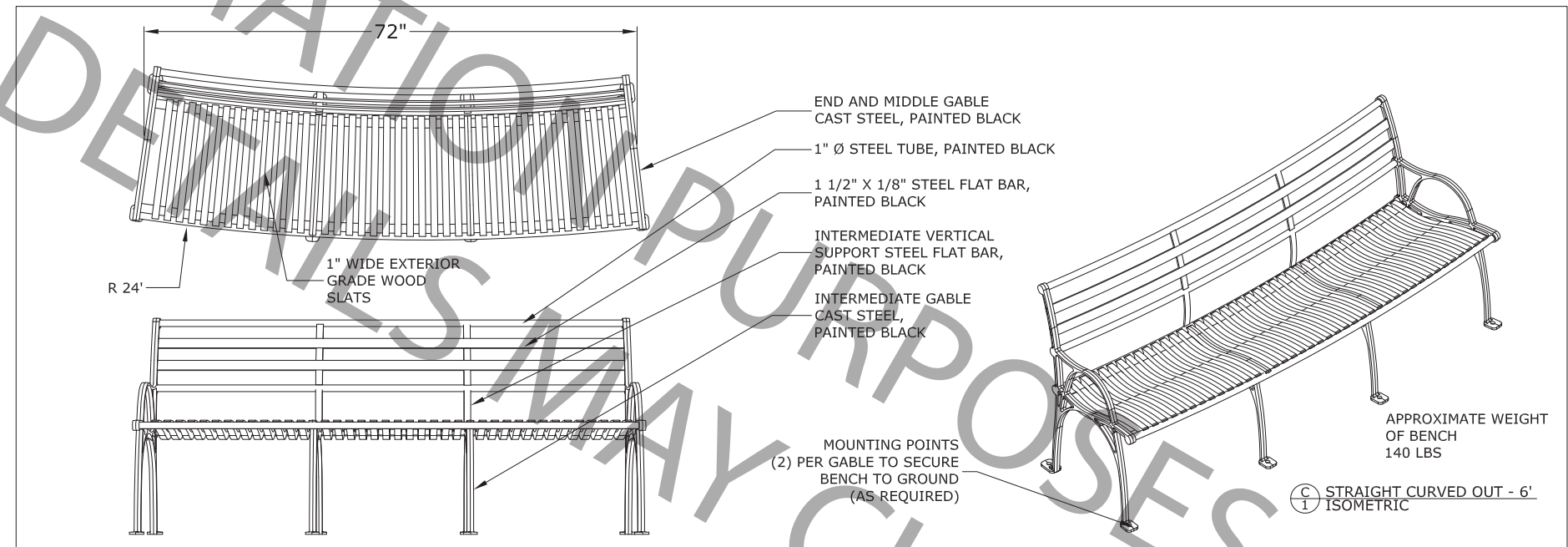


(E) DONOR PLATE - TYPICAL FRONT
SCALE: 1/2"



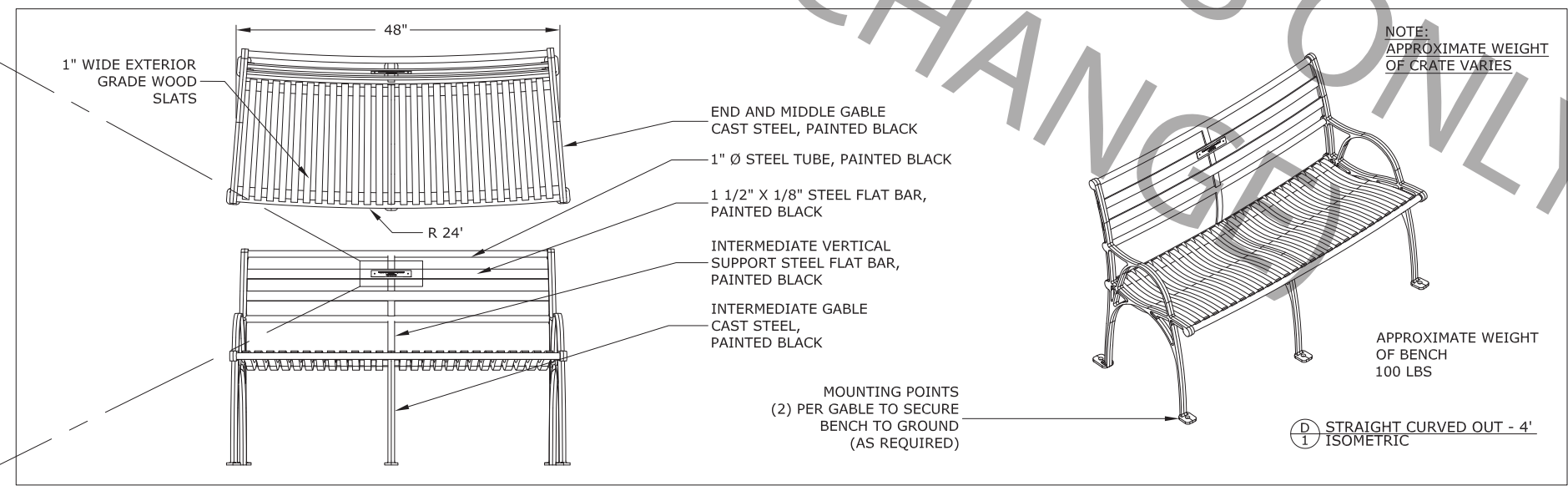
(B) STRAIGHT CURVED OUT - 8'
ISOMETRIC

APPROXIMATE WEIGHT OF BENCH
183 LBS



(C) STRAIGHT CURVED OUT - 6'
ISOMETRIC

APPROXIMATE WEIGHT OF BENCH
140 LBS



(D) STRAIGHT CURVED OUT - 4'
ISOMETRIC

NOTE:
APPROXIMATE WEIGHT OF CRATE VARIES

APPROXIMATE WEIGHT OF BENCH
100 LBS